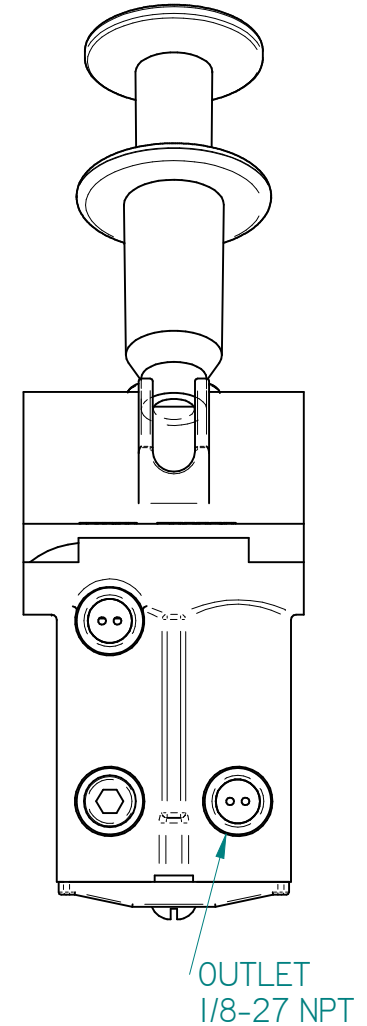
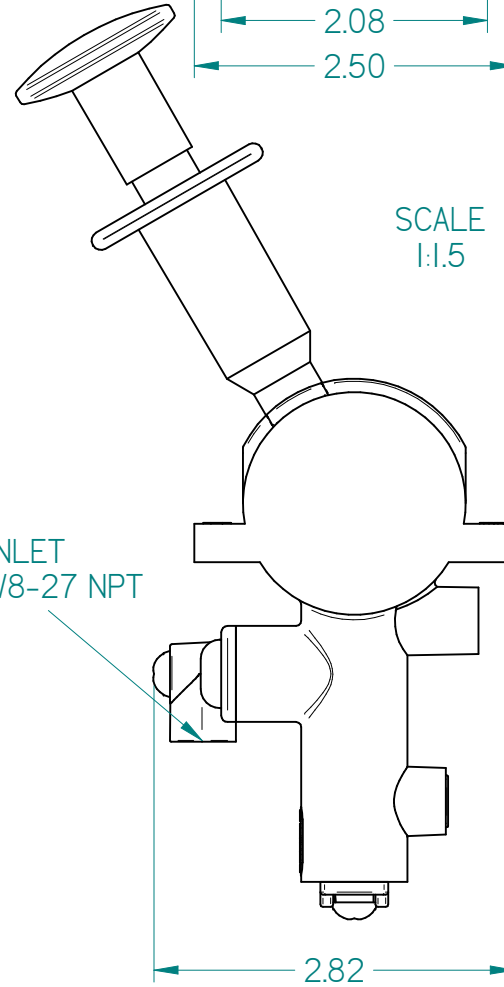
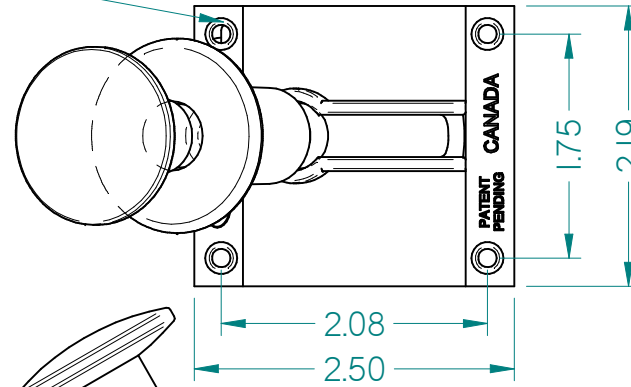


#10-24 UNC



SHEET 1 OF 1



SINCE 1945

ALL INFORMATION IN THIS DRAWING IS COPYRIGHT PROTECTED.

AIR VALVE, 3 POSITIONS, DUAL BORE,
SINGLE CONTROL CAM - DEL- DIMENSIONS

1202-99-01



UNITS: INCHES

SCALE: NTS

CHKD:

DRWN: O.S. FEB. 20/13

REVD:

SHEET SIZE: A

REV: