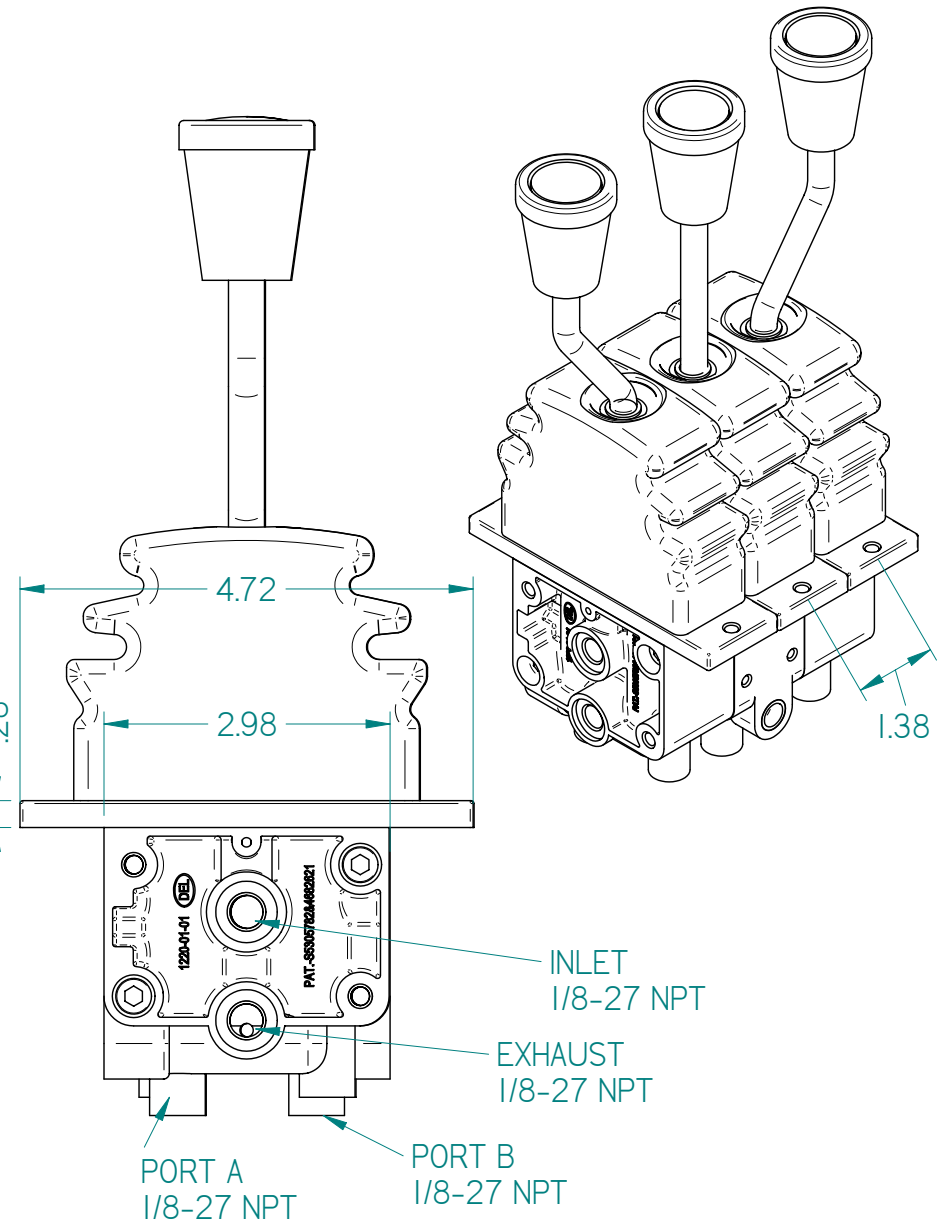


7.375

.28



PORT A
1/8-27 NPT

PORT B
1/8-27 NPT

INLET
1/8-27 NPT

EXHAUST
1/8-27 NPT

1.38

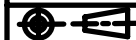


SINCE 1945

ALL INFORMATION IN THIS DRAWING IS COPYRIGHT PROTECTED.

AIR VALVE, 4 WAY, TAPERED KNOB,
BANK OF THREE

1221-3B-01



UNITS: INCHES

SCALE: NTS

CHKD:

DRWN: O.S. May 27/04

REVD:

SHEET SIZE: A

REV: C