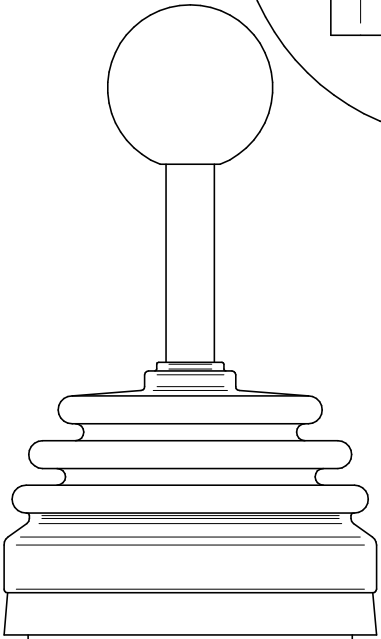
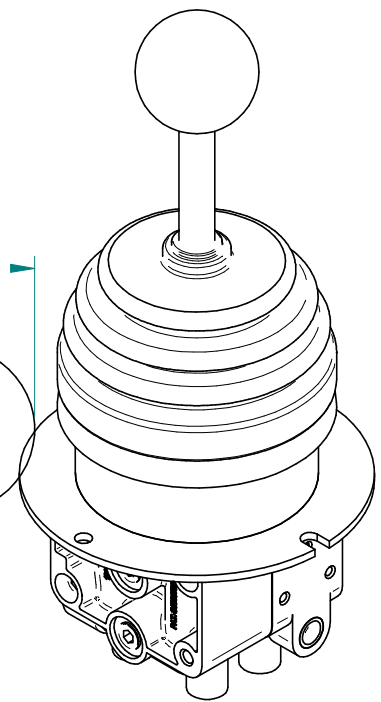
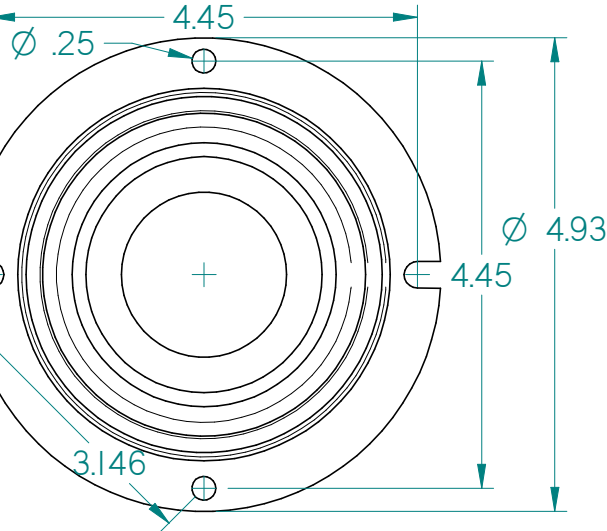
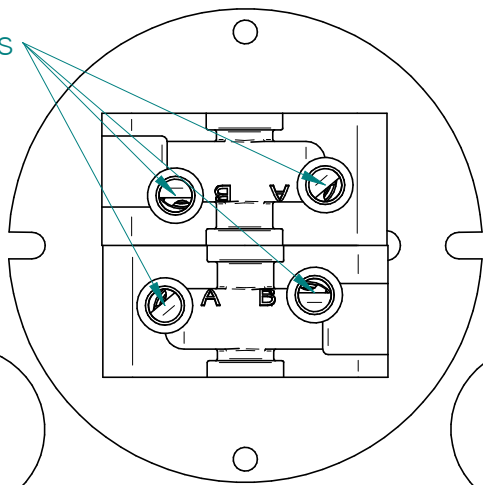
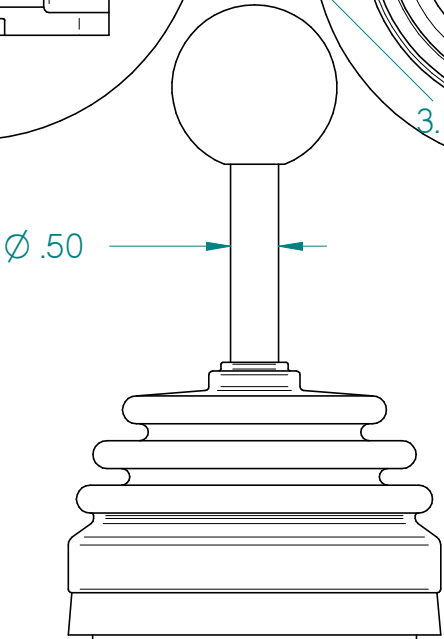


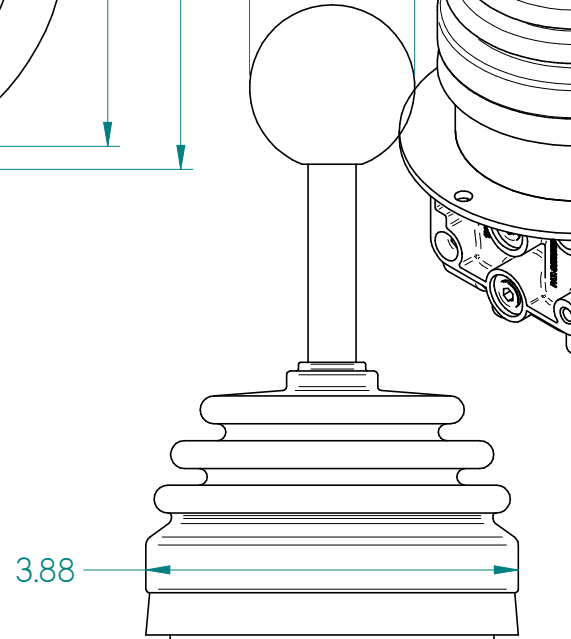
4x Work Ports
1/8-27 NPT



Supply Side

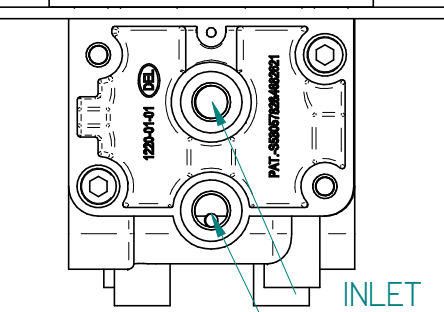


Plug Side



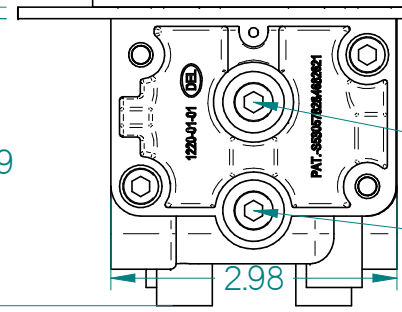
3.88

3.38



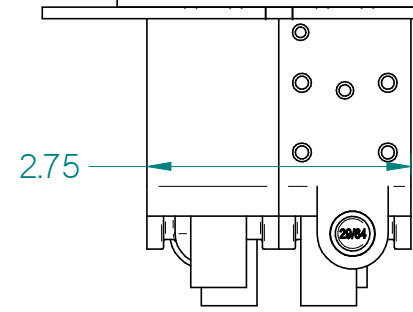
INLET
1/8-27 NPT

EXHAUST
1/8-27 NPT



Dry Seal
Coated Plug

1/8" NPT
Plug



2.75

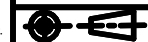
SHEET 1 OF 1



SINCE 1945

ALL INFORMATION IN THIS DRAWING IS COPYRIGHT PROTECTED.

AIR VALVE, QUAD, NON DETENT
1/2" DIA. LEVER, MUNSON TISON PLATE
1226-99-01 Dimensional



UNITS: INCHES

SCALE: NTS

CHKD:

DRWN: O.S. 11/30/04

REV'D: M.C. 10/7/22

SHEET SIZE: A

REV: