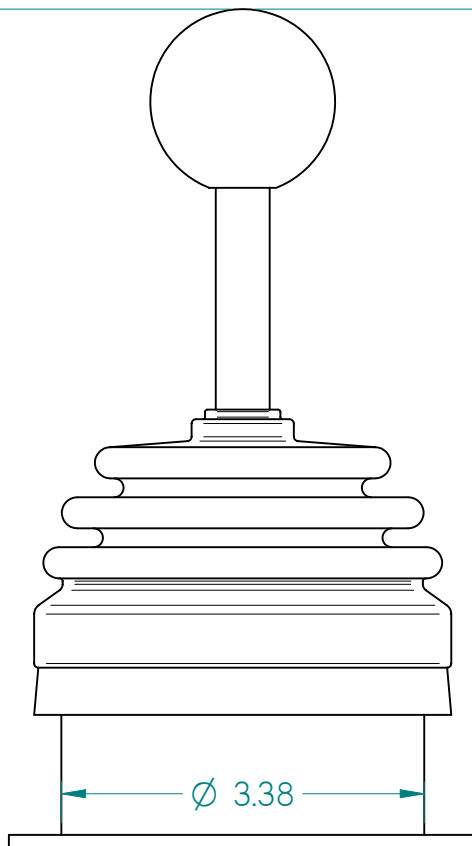


7.68

10.79

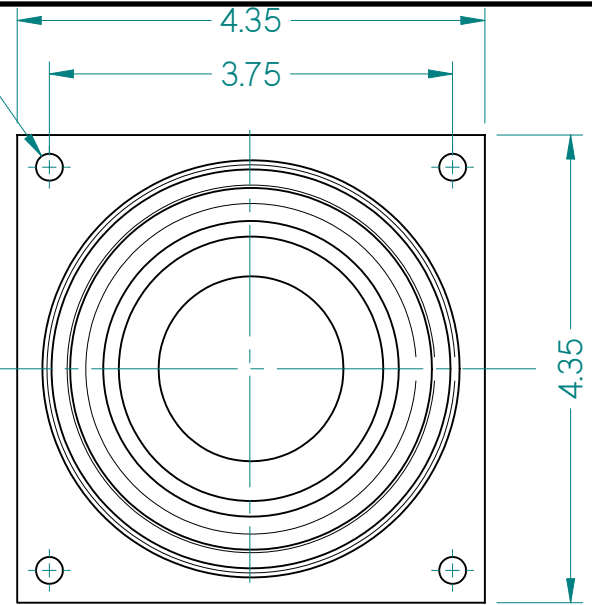
.12
2.99



Ø 3.38

2.75

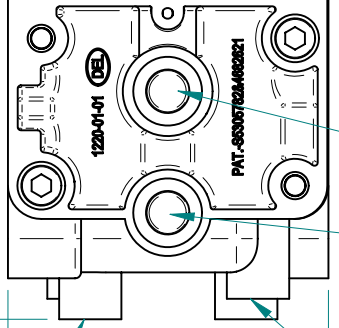
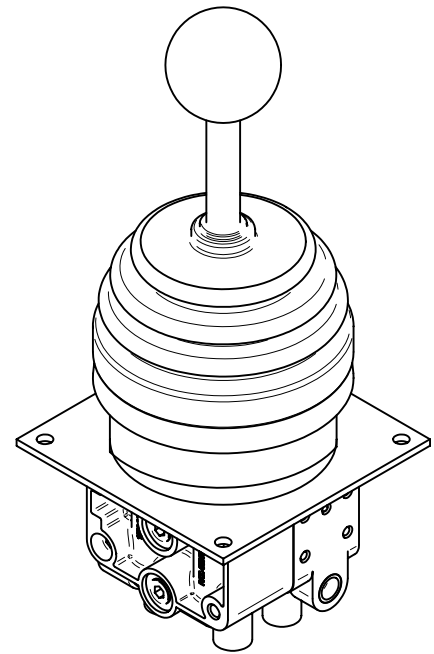
Ø .25
TYP.



4.35

3.75

4.35



1226-01-01

PAT. 4630572, 4632821

INLET
1/8-27 NPT

EXHAUST
1/8-27 NPT

PORT A
1/8-27 NPT

PORT B
1/8-27 NPT

2.98

SHEET 1 OF 1



SINCE 1945

ALL INFORMATION IN THIS DRAWING IS COPYRIGHT PROTECTED.

AIR VALVE, QUAD, NON DETENT,
PARALLEL PLATE - DIMENSIONS

1226-99-04



UNITS: INCHES

SCALE: NTS

CHKD:	
DRWN:	O.S. Feb. 13/01
REVD:	
SHEET SIZE:	A
REV:	H